

Solar systems by Schweizer: Short installation manual – Solrif®

Additional information for the mounting of inner corners



Scope of application

These Short installation manual form part of the currently valid 'Installation manual PV Roof Integration Solrif®' of 6.5.2019.

They describe a partial roof solution and can also be applied by analogy for whole-roof solutions.



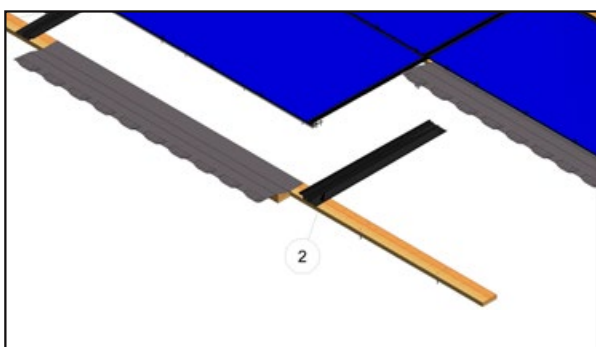
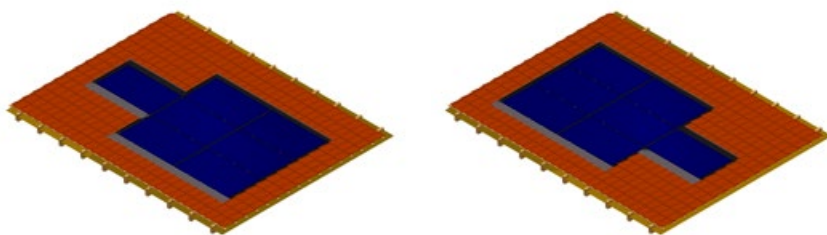
This project has received funding from the European Union's Horizon 2020 research and innovation programme under grant agreement N° 817991

Solar systems by Schweizer:

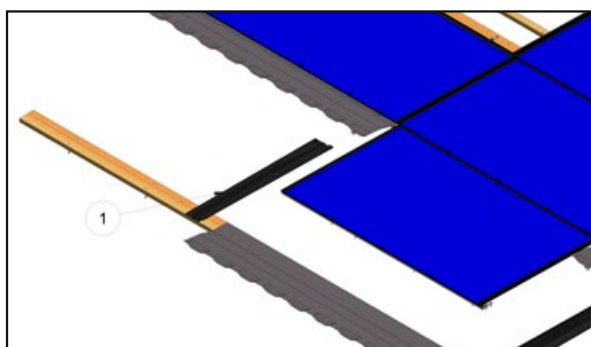
Short installation manual – Solrif®

Additional information for the mounting of inner corners

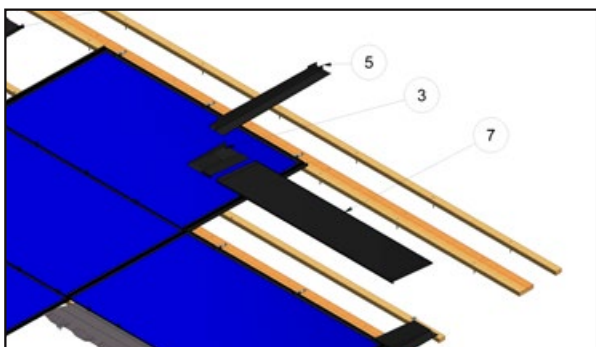
Mounting inner corners



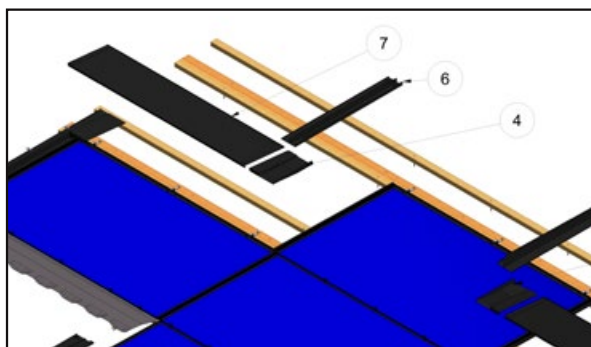
Inner corner bottom right (page 3)



Inner corner bottom left (page 5)



Inner corner top right (page 7)



Inner corner top left (page 9)

- ① Flashing side inner left
- ② Flashing side inner right
- ③ Inner corner flashing right
- ④ Inner corner flashing left

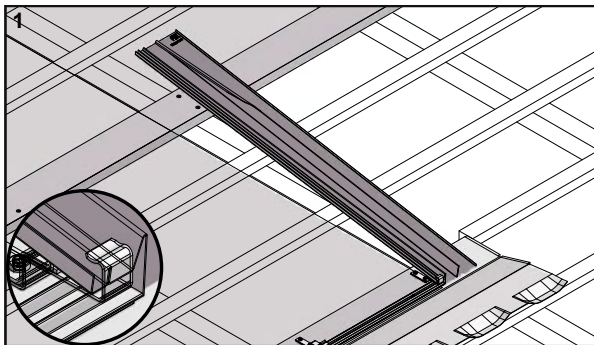
- ⑤ Short aluminium flashing side right
- ⑥ Aluminium flashing side left
- ⑦ Short aluminium flashing top

Solar systems by Schweizer:

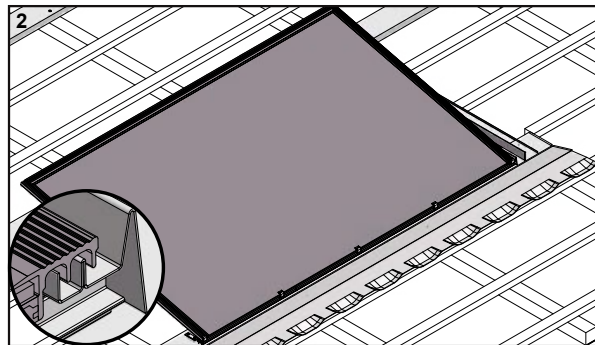
Short installation manual – Solrif®

Additional information for the mounting of inner corners

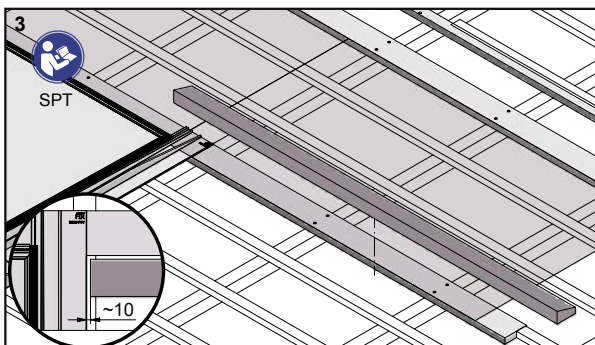
Corner bottom right



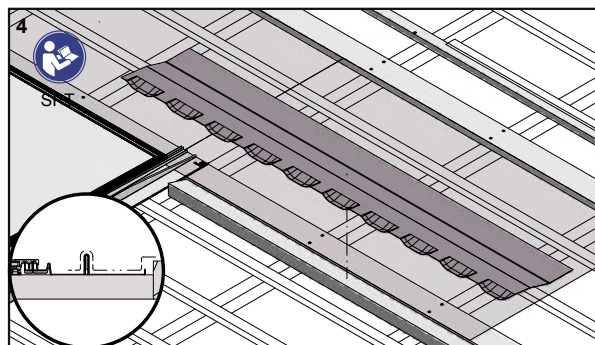
Place flashing side inner right in position



Suspend module in flashing side



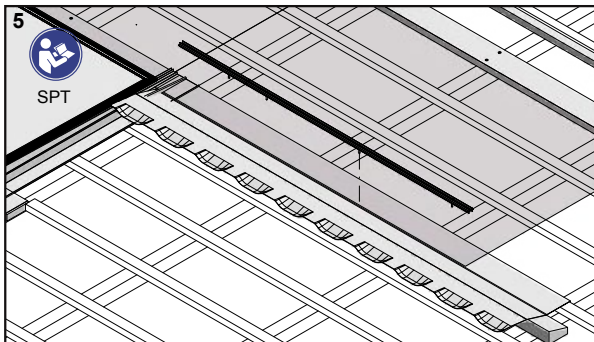
Position balancing plank for corner module



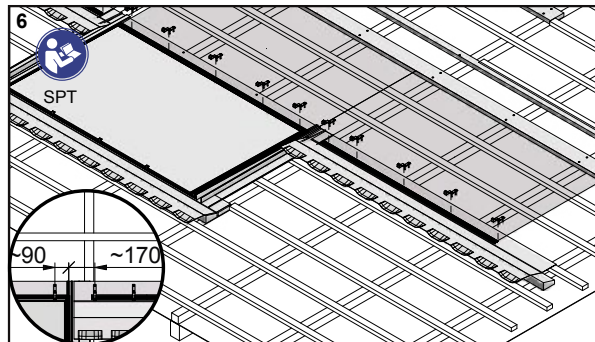
Lay connecting sheet
and put it over flashing side

Solar systems by Schweizer: Short installation manual – Solrif®

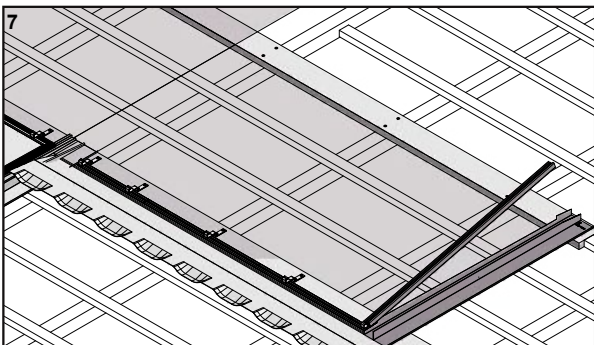
Additional information for the mounting of inner corners



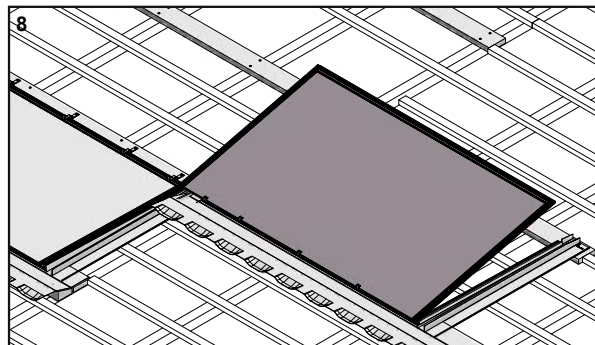
Fasten eaves profile



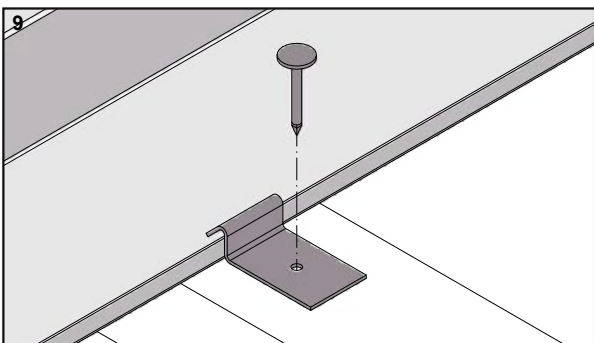
Position mounting clamp



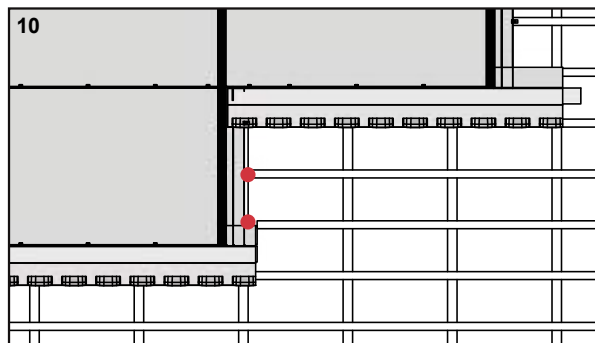
Mount flashing side and edge profile right



Start module row



Apply fixing for flashing

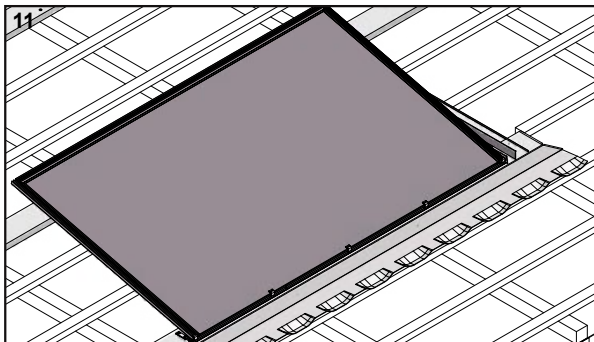


Positions of fixing for flashing

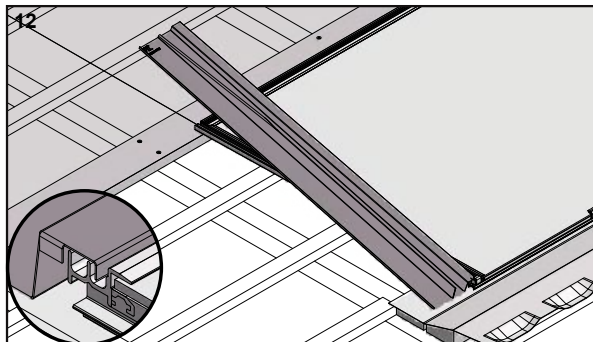
Solar systems by Schweizer: Short installation manual – Solrif®

Additional information for the mounting of inner corners

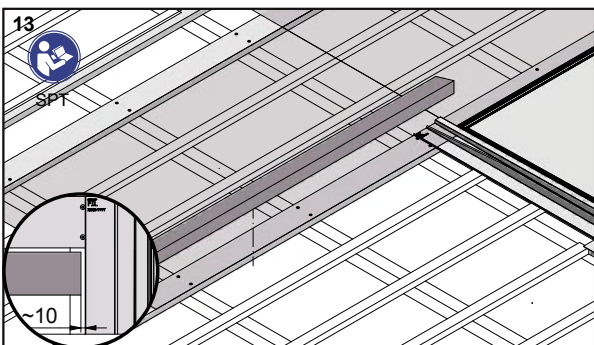
Corner bottom left



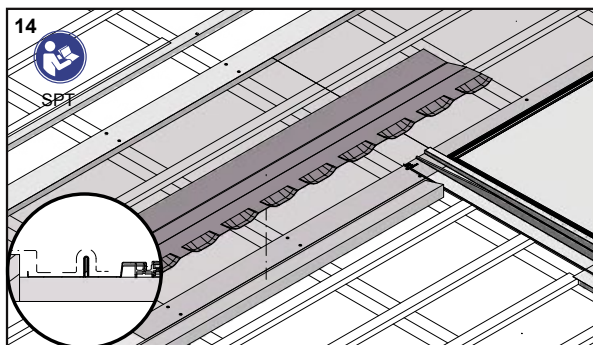
Lay module



Suspend flashing side inner left and
mounting clamp in the module



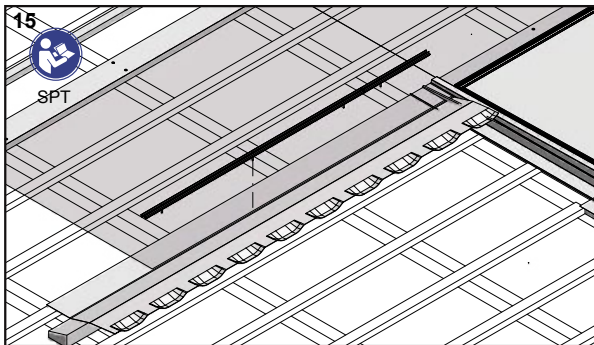
Position balancing plank for corner module



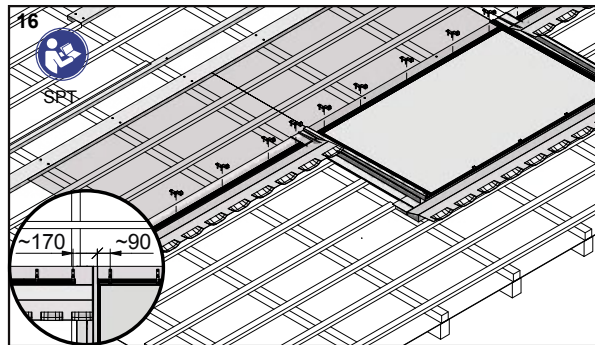
Lay connecting sheet
Turn inwards over flashing side

Solar systems by Schweizer: Short installation manual – Solrif®

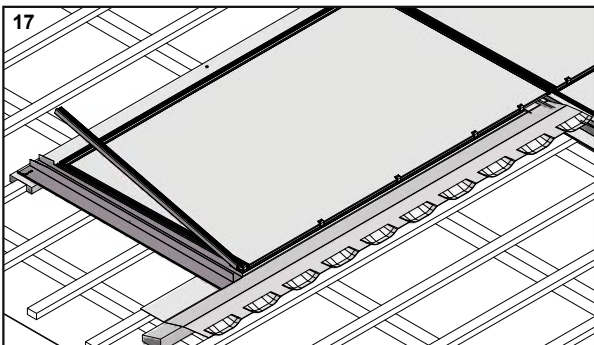
Additional information for the mounting of inner corners



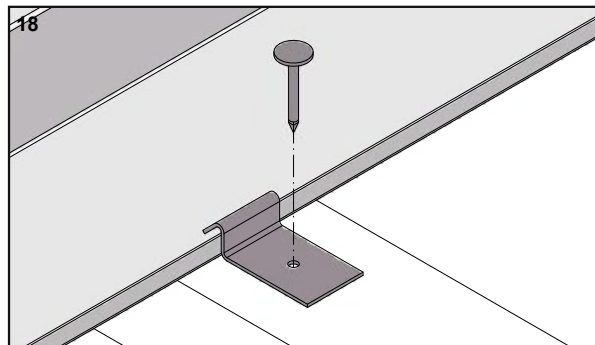
Fasten eaves profile



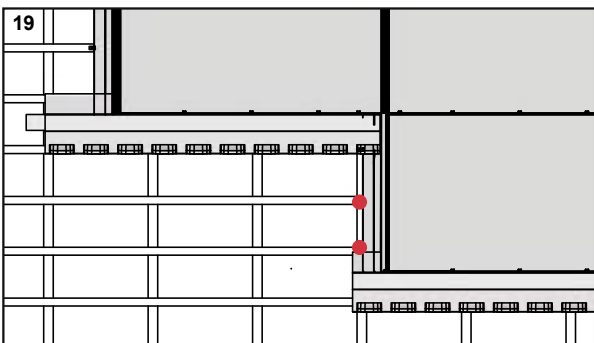
Position mounting clamp



Lay modules and mount flashing side incl. edge profile left



Apply fixing for flashing



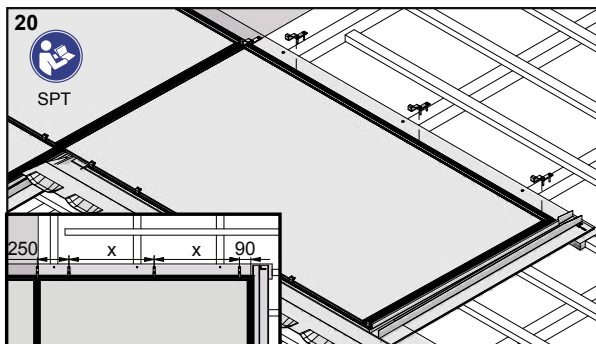
Positions of fixing for flashing

Solar systems by Schweizer:

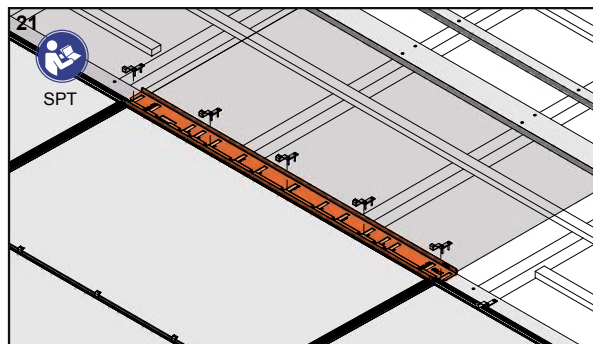
Short installation manual – Solrif®

Additional information for the mounting of inner corners

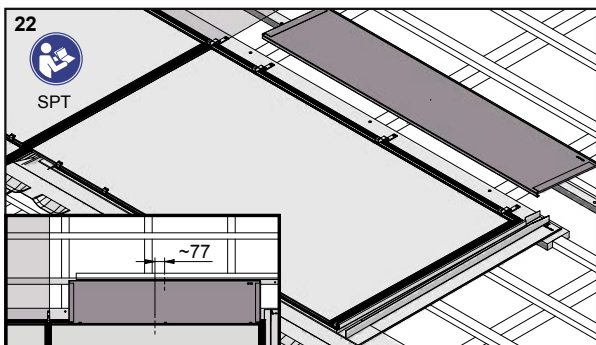
Corner top right



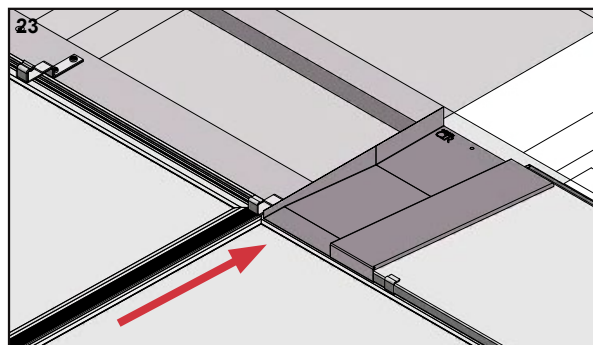
Place mounting bracket on the corner module



Position remaining mounting brackets



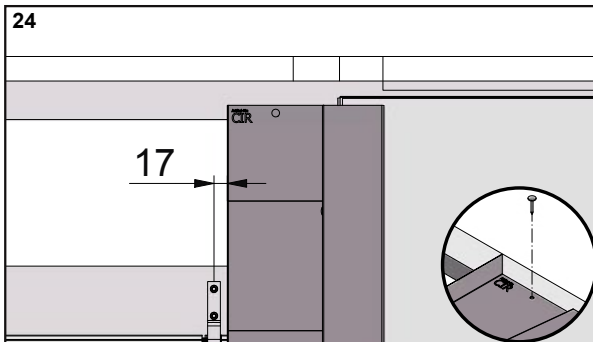
Suspend aluminium flashing top for corner module



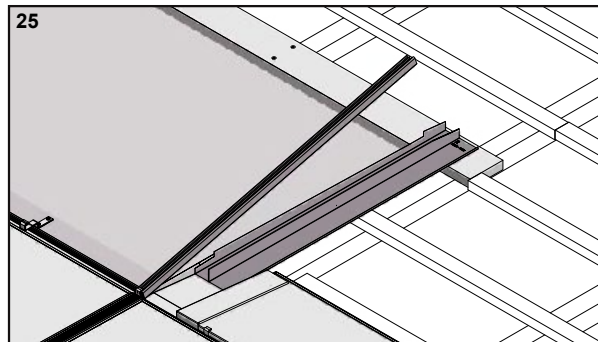
Insert and fix the corner flashing right

Solar systems by Schweizer: Short installation manual – Solrif®

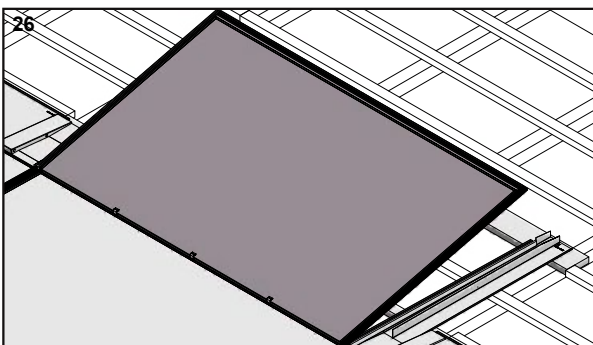
Additional information for the mounting of inner corners



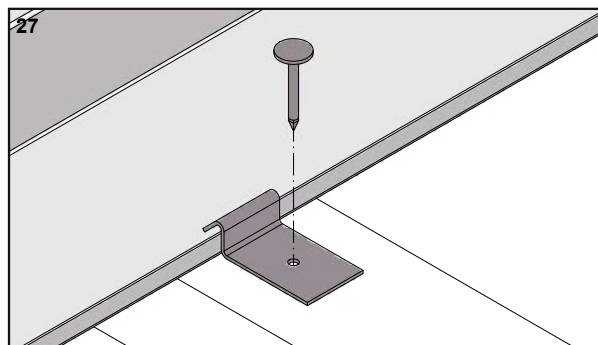
Position of corner flashing right



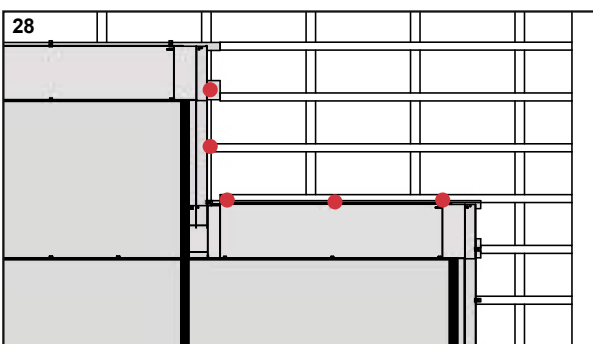
Mount short flashing side and edge profile



Suspend modules



Apply fixings for flashing

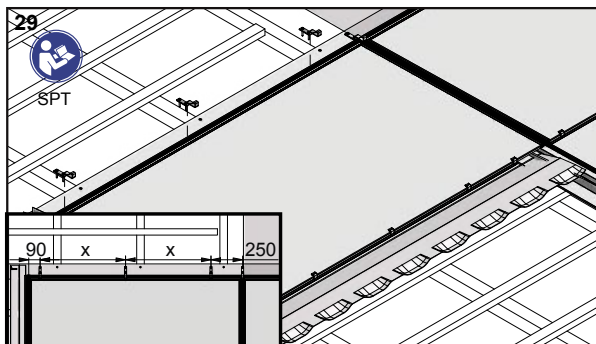


Positions of fixings for flashing

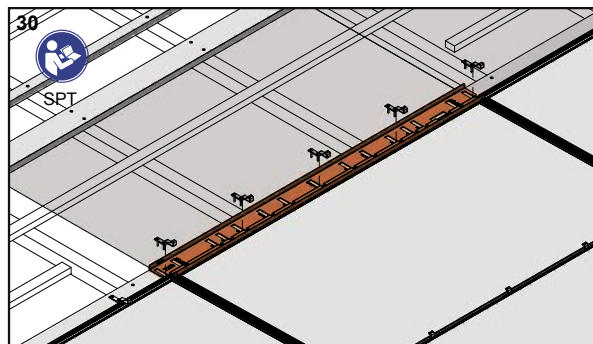
Solar systems by Schweizer: Short installation manual – Solrif®

Additional information for the mounting of inner corners

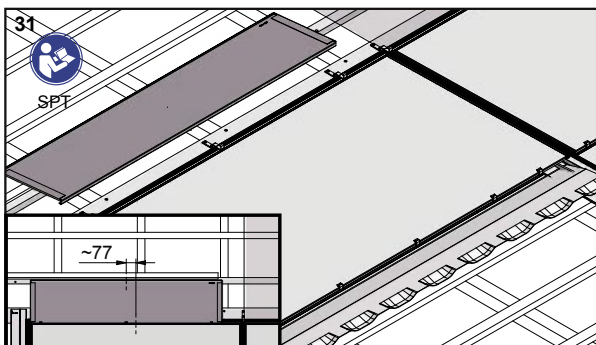
Corner top left



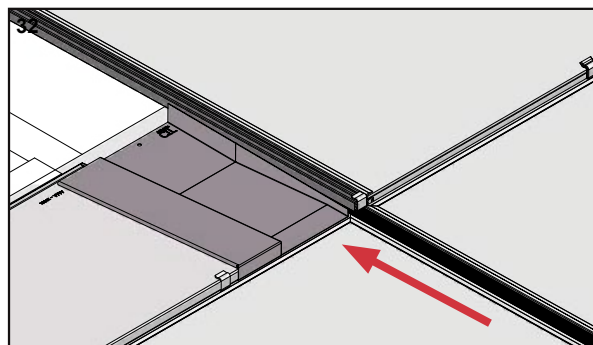
Place mounting clamp on corner module



Position remaining mounting clamps



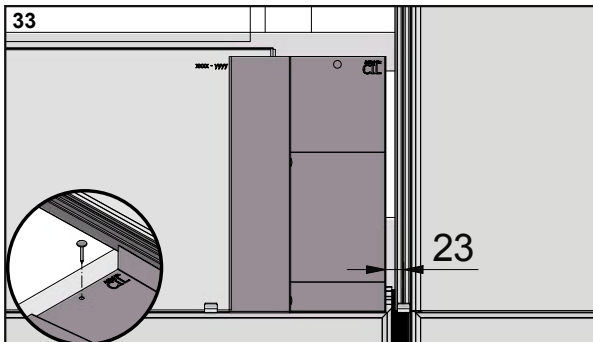
Suspend aluminium flashing top for corner module



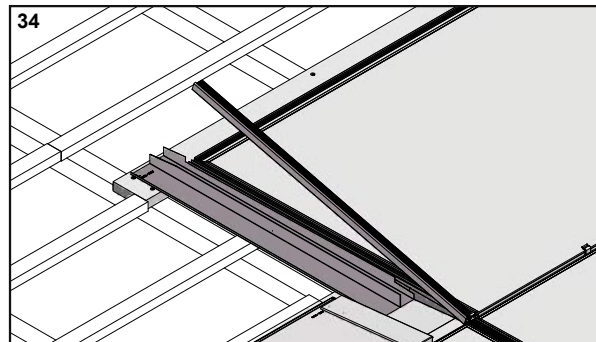
Insert corner flashing right

Solar systems by Schweizer: Short installation manual – Solrif®

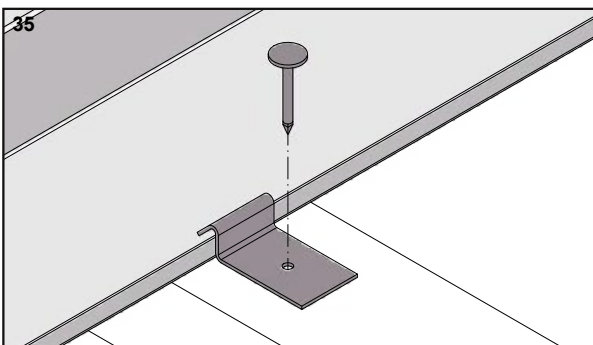
Additional information for the mounting of inner corners



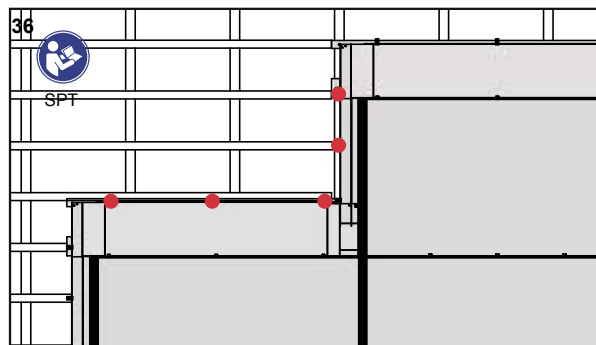
Position of corner flashing left



Mount short flashing side and edge profile



Apply fixings for flashing



Positions of fixings for flashing